



215 EAST ROOSEVELT AVE.
ZEELAND, MI 49464

ODL / WESTERN REFLECTIONS

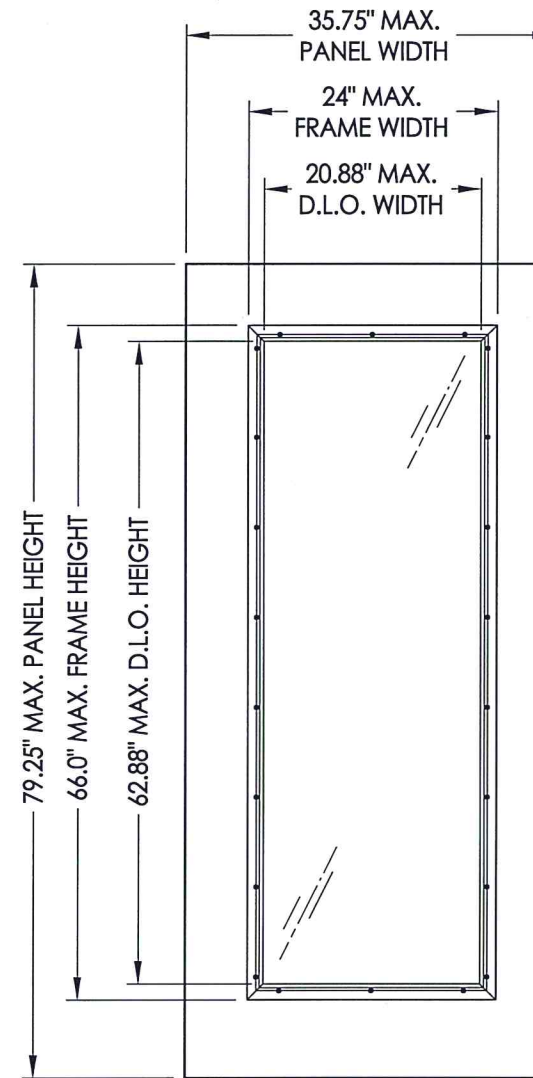
Evolve Lite Frame System DOORGLASS ASSEMBLY

FOR GLAZING UP TO A 3'0" x 8'0" SINGLE PANEL
"NON-IMPACT"

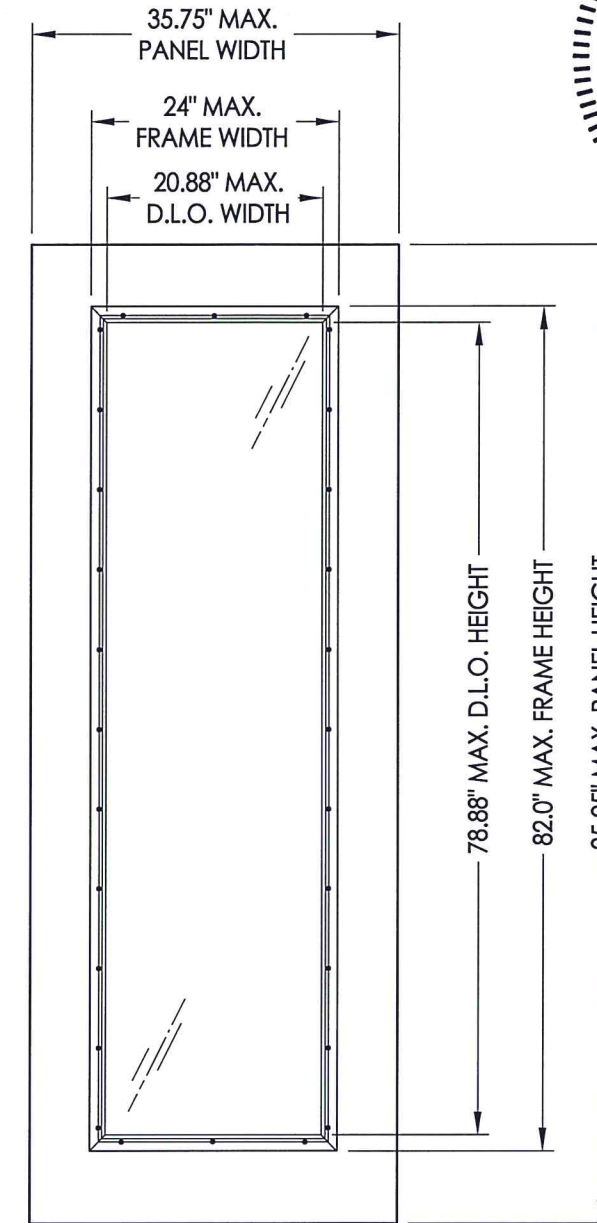
GENERAL NOTES

- This product has been evaluated and is in compliance with the 7th Edition (2020) Florida Building Code (FBC) structural requirements including the High Velocity Hurricane Zone (HVHZ).
- When used in the "HVHZ" this product is required to be protected with an impact resistant covering that complies with Section 1626 of the FBC.
- This product is approved for use as a substitute doorglass assembly in conjunction with a glazed steel or fiberglass side hinged swing door and/or fixed sidelite possessing a comparable current Florida Statewide product approval.
- The design pressure (DP) rating shall be the lesser of the DP rating shown on Sheet 1 of this approval or the DP rating shown in the glazed steel or fiberglass side hinged swing door or fixed sidelite approval being used.
- The door panel and lite opening size shall not exceed the sizes shown in this approval or the glazed steel or fiberglass side hinged swing door or fixed sidelite approval being used.
- This product has been tested in the door and/or sidelite panels as specified on Sheets 3 & 4 of this approval. Substitution into a similar product may be approved for use by the local Authority Having Jurisdiction. In all cases, the glazed steel or fiberglass door and/or sidelite used must possess a comparable current Florida Statewide product approval.

TABLE OF CONTENTS	
SHEET #	DESCRIPTION
1	Typical elevations, design pressures and general notes
2	Frame & glazing details & bill of materials
3	Fiberglass door panels
4	Steel door panels



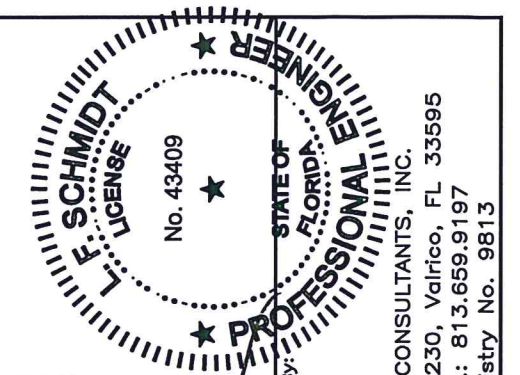
6'-8" DOOR/SIDELITE PANEL



8'-0" DOOR/SIDELITE PANEL

MAX DESIGN PRESSURE RATINGS (PSF) *		
DOOR TYPE	POSITIVE	NEGATIVE
6'-8" STEEL	+60.0	-60.0
6'-8" FIBERGLASS	+65.0	-65.0
8'-0" STEEL	+60.0	-60.0
8'-0" FIBERGLASS	+65.0	-65.0

*SEE SHEETS 3 & 4 FOR DOOR PANEL DESIGN PRESSURE RATING LIMITATIONS

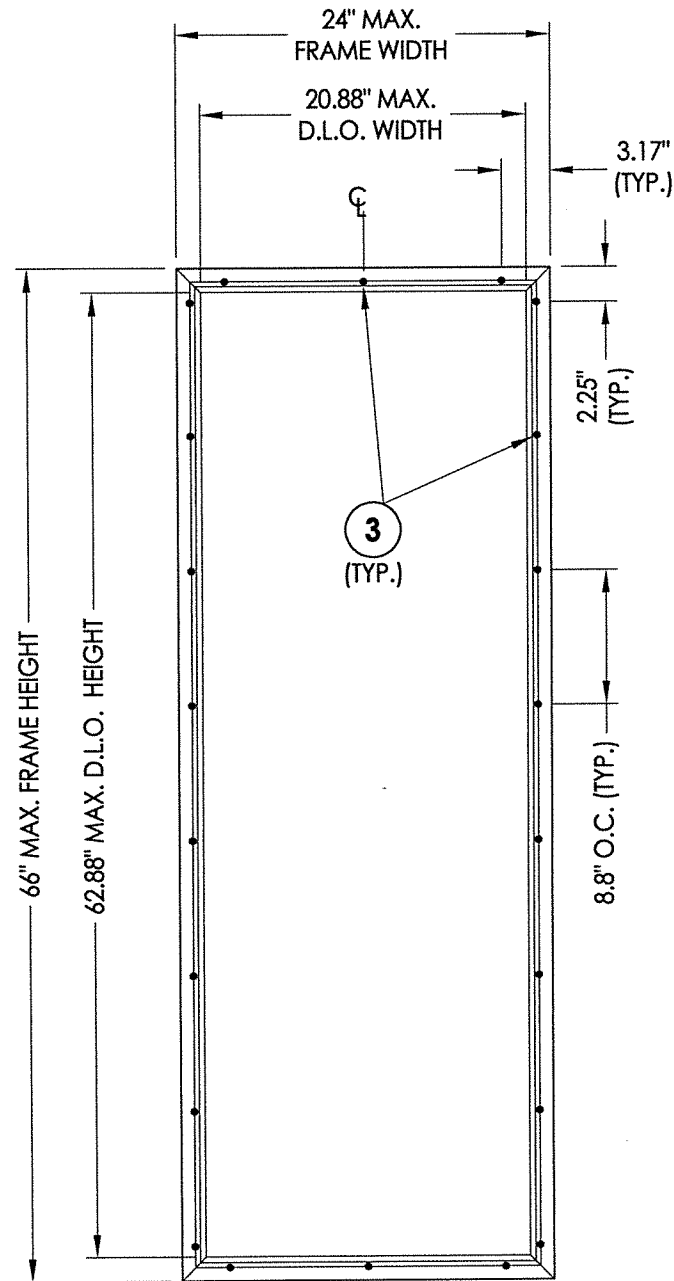


August 07, 2020
Documents Prepared By:
Lyndon F. Schmidt
P.E. No. 43409

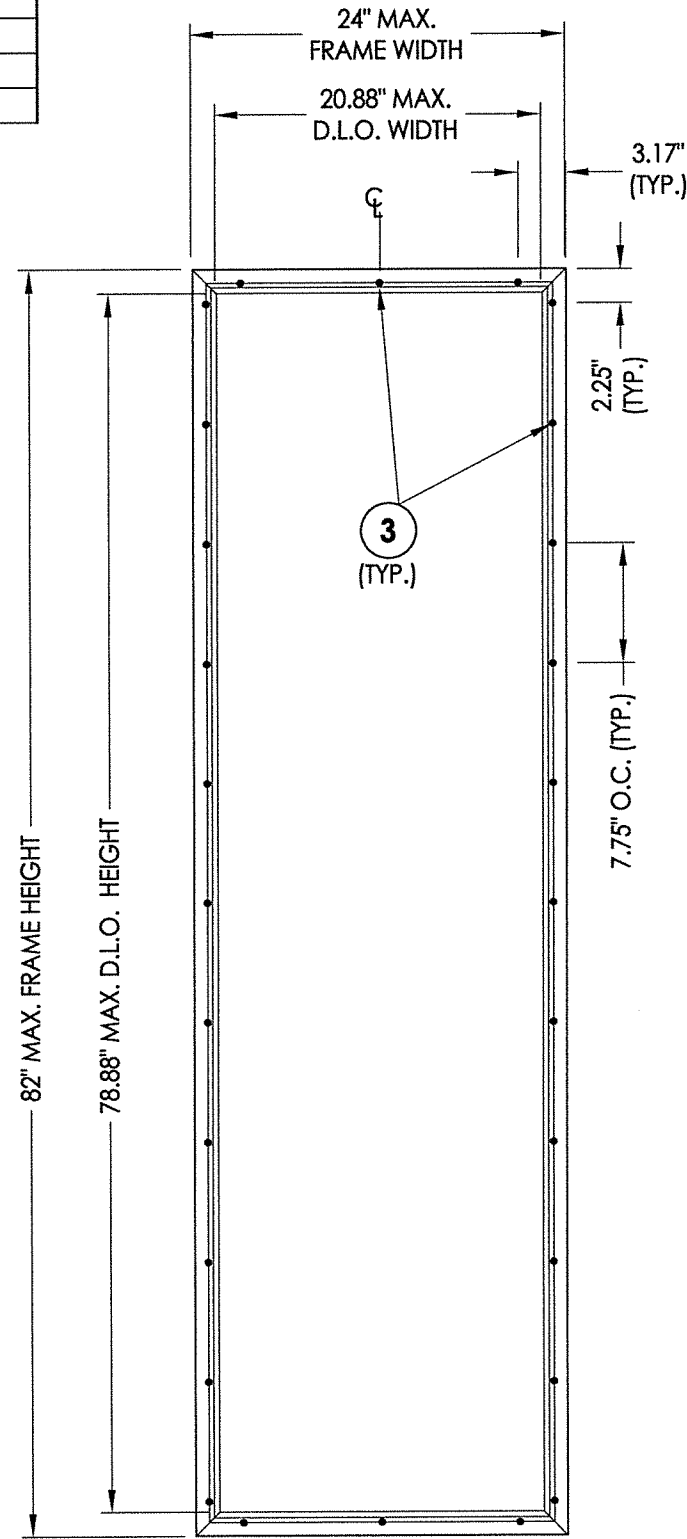
RW BUILDING CONSULTANTS, INC.
P.O. Box 230, Vairico, FL 33595
Phone No.: 813.659.9197
FBPE Registry No. 9813

PRODUCT:	EVOLVE LITE FRAME SYSTEM
PART OR ASSEMBLY:	TYPICAL ELEVATIONS, DESIGN PRESSURES & GENERAL NOTES
DATE:	3/31/15
SCALE:	N.T.S.
DWG. BY:	JK
CHK. BY:	LFS
DRAWING NO.:	FL-15260.15
SHEET	1 OF 4

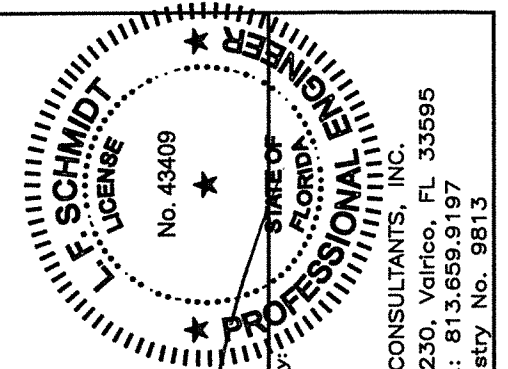
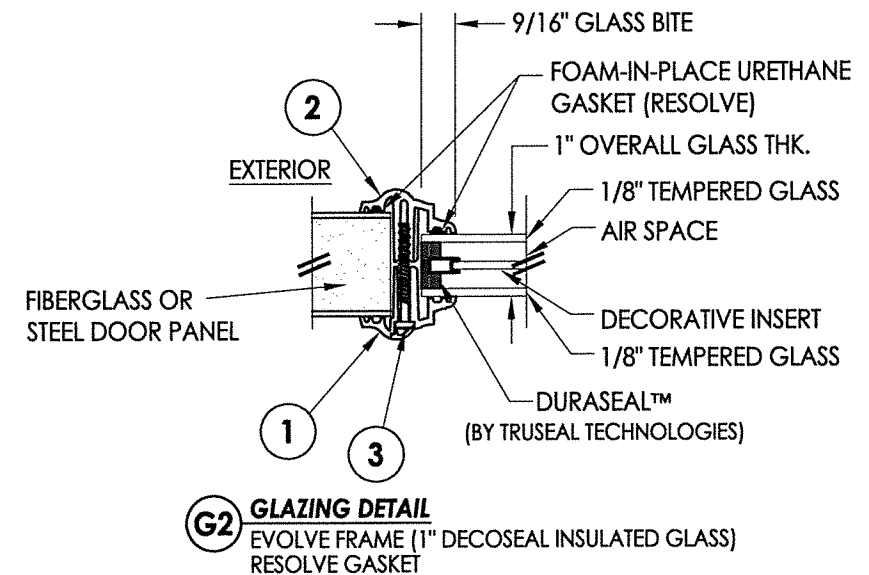
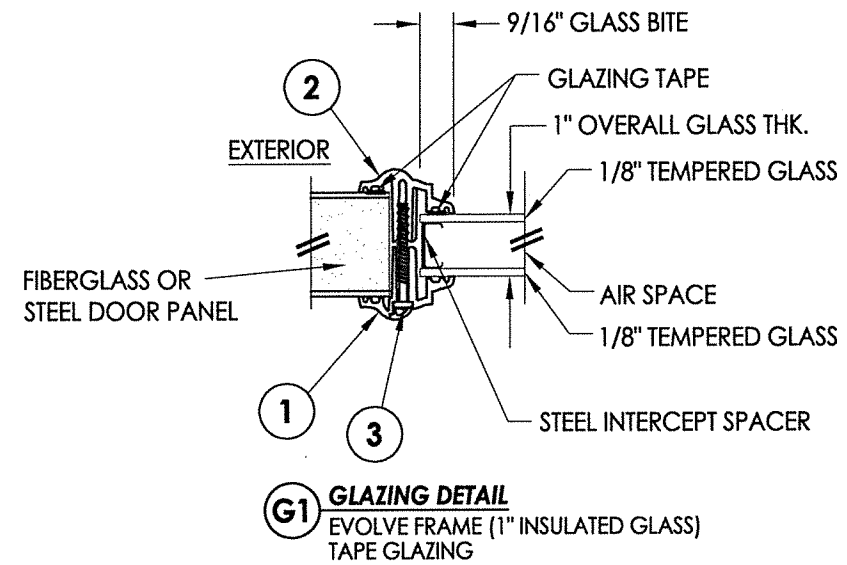
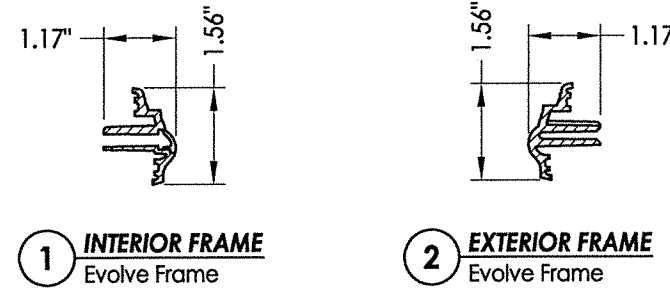
BILL OF MATERIALS		
ITEM #	DESCRIPTION	MATERIAL
1	INTERIOR FRAME (EVOLVE)	HP-POLYPRO
2	EXTERIOR FRAME (EVOLVE)	HP-POLYPRO
3	#8 X 1-1/2" PPH SMS (HI-LO THREAD)	STEEL



EVOLVE FRAME SYSTEM
HP Polypropylene
6'-8" DOOR



EVOLVE FRAME SYSTEM
HP Polypropylene
8'-0" DOOR



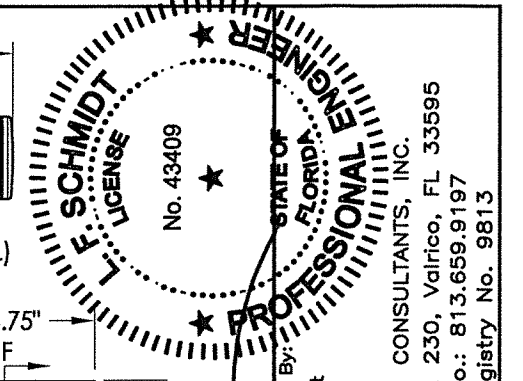
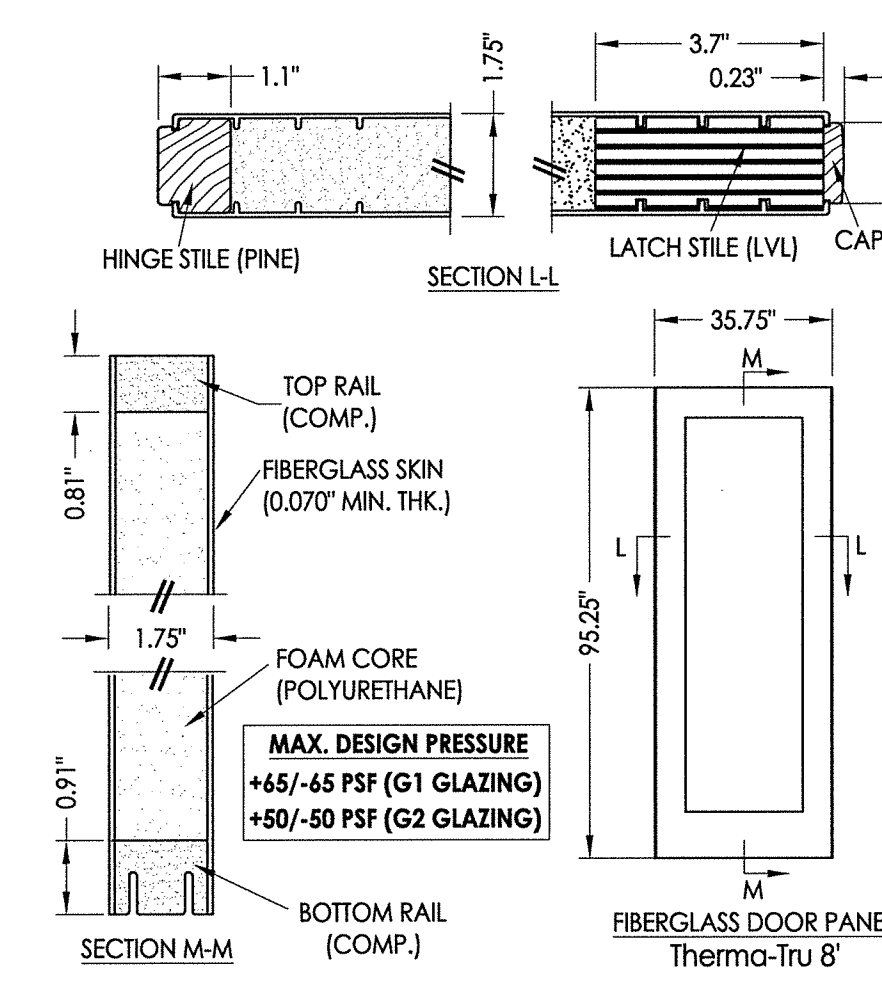
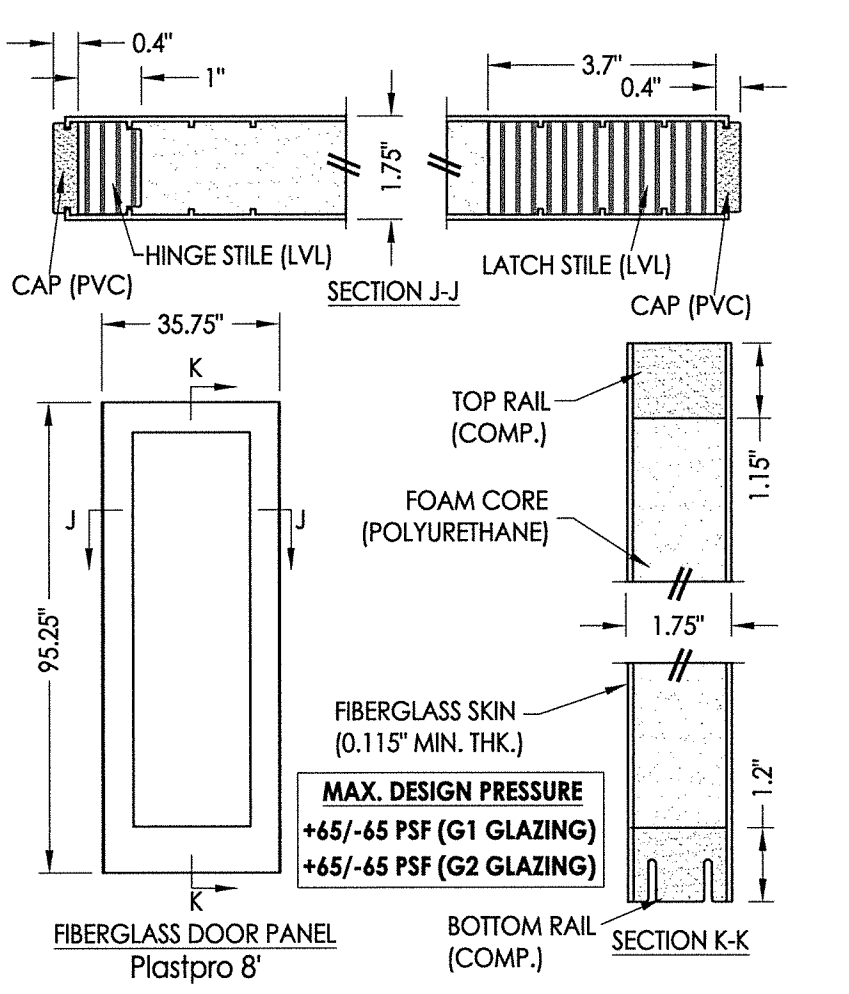
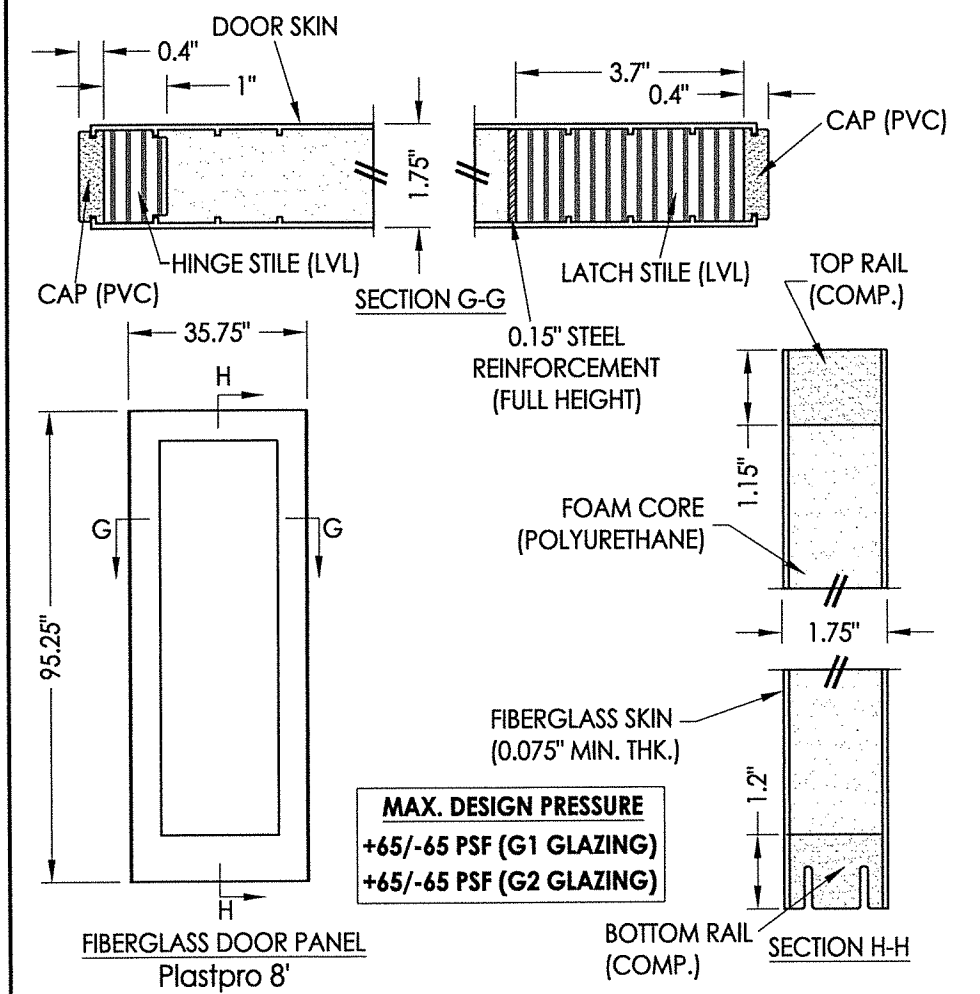
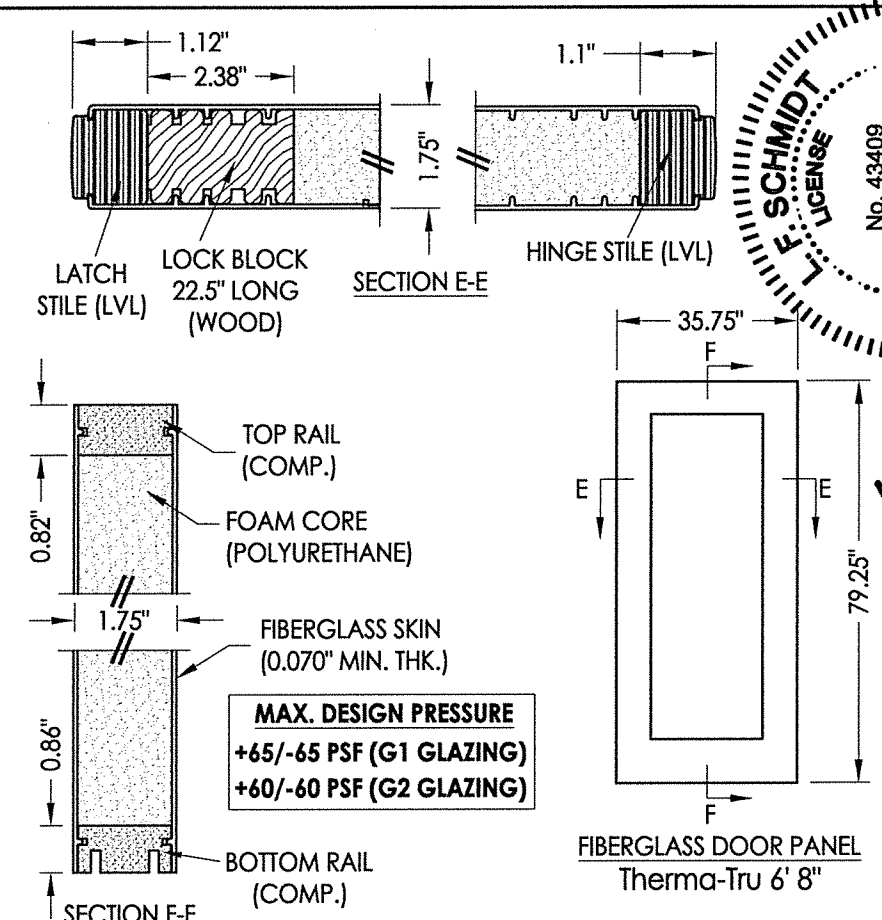
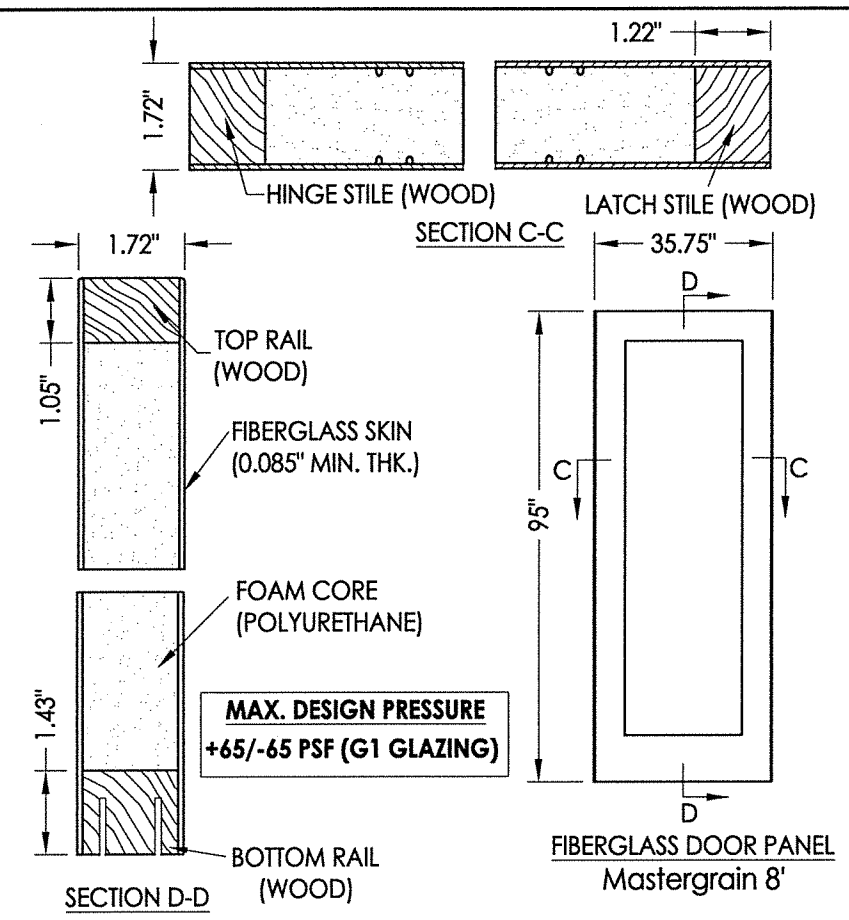
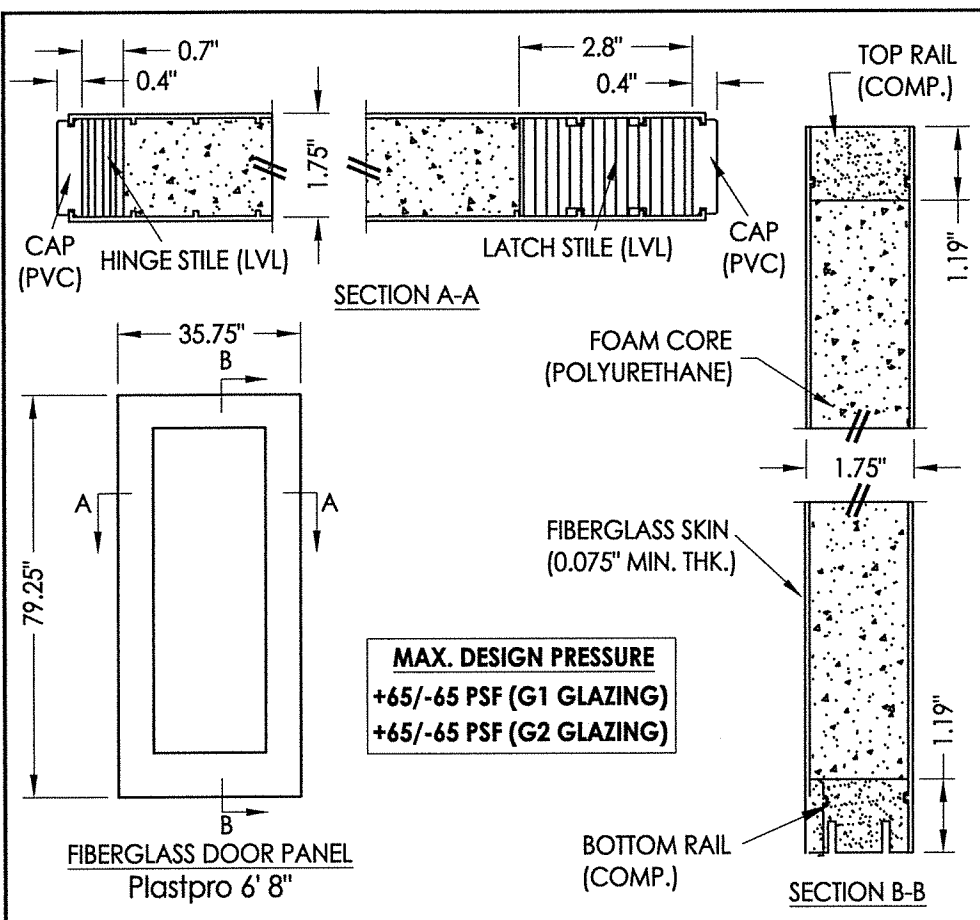
August 07, 2020

Documents Prepared By:
Lyndon F. Schmidt
P.E. No. 43409

R.W. BUILDING CONSULTANTS, INC.
P.O. Box 230, Valrico, FL 33595
Phone No.: 813.659.9197
FBPE Registry No. 9813

PRODUCT:	EVOLVE FRAME SYSTEM	
PART OR ASSEMBLY:	LITE FRAME SYSTEM	
	FRAME & GLAZING DETAILS & BILL OF MATERIALS	
NO.	DATE	BY
4	8/05/20	DAC
3	4/04/19	LFS
2	10/03/18	LFS
1	9/26/17	JK
REVISIONS		
DATE:	3/31/15	
SCALE:	N.T.S.	
DWG. BY:	JK	
CHK. BY:	LFS	
DRAWING NO.:	FL-15260.15	
SHEET	2 OF 4	

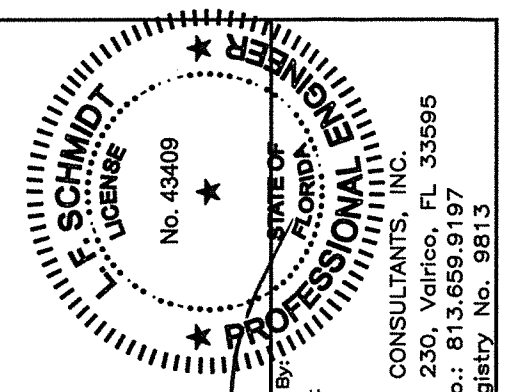
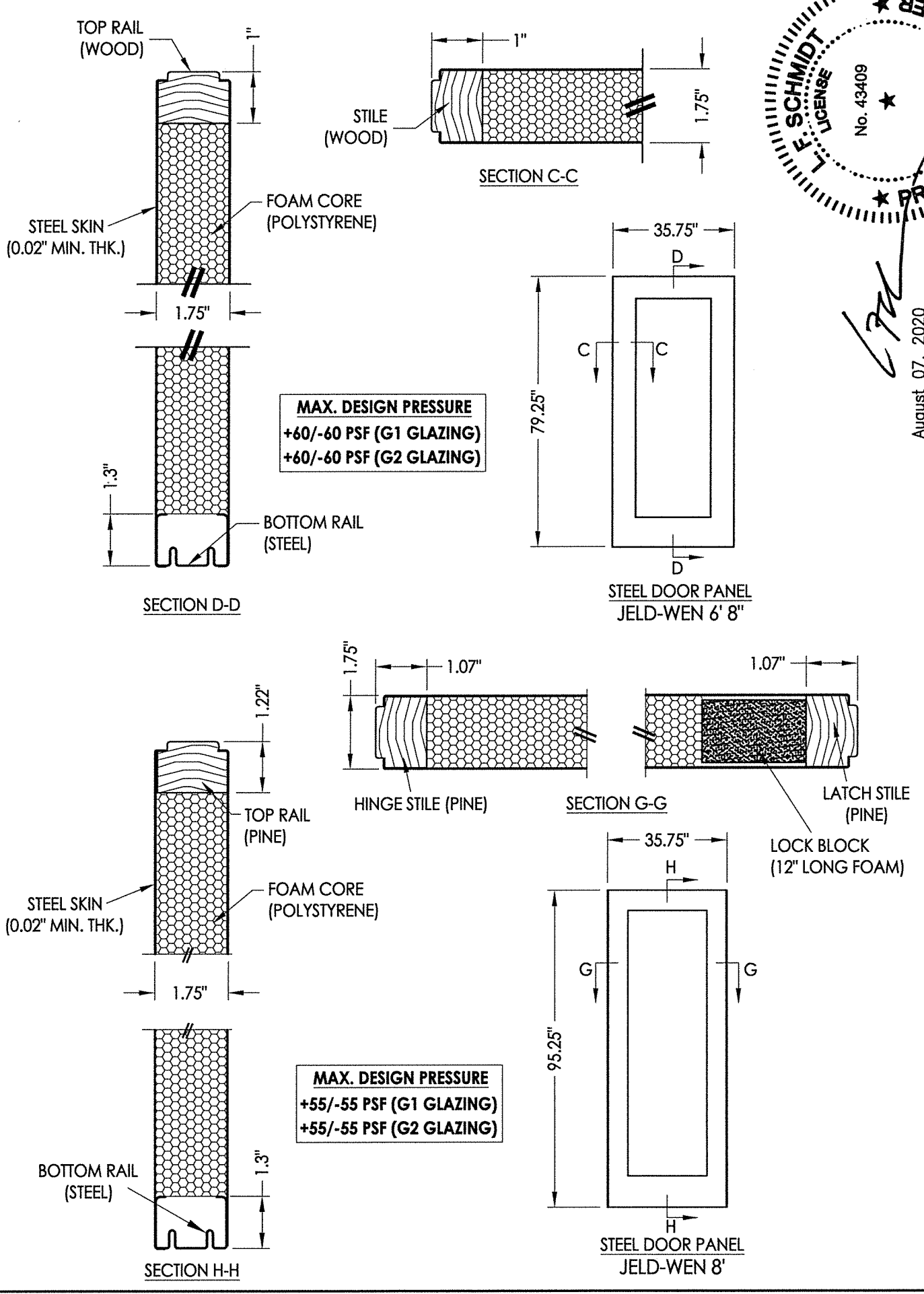
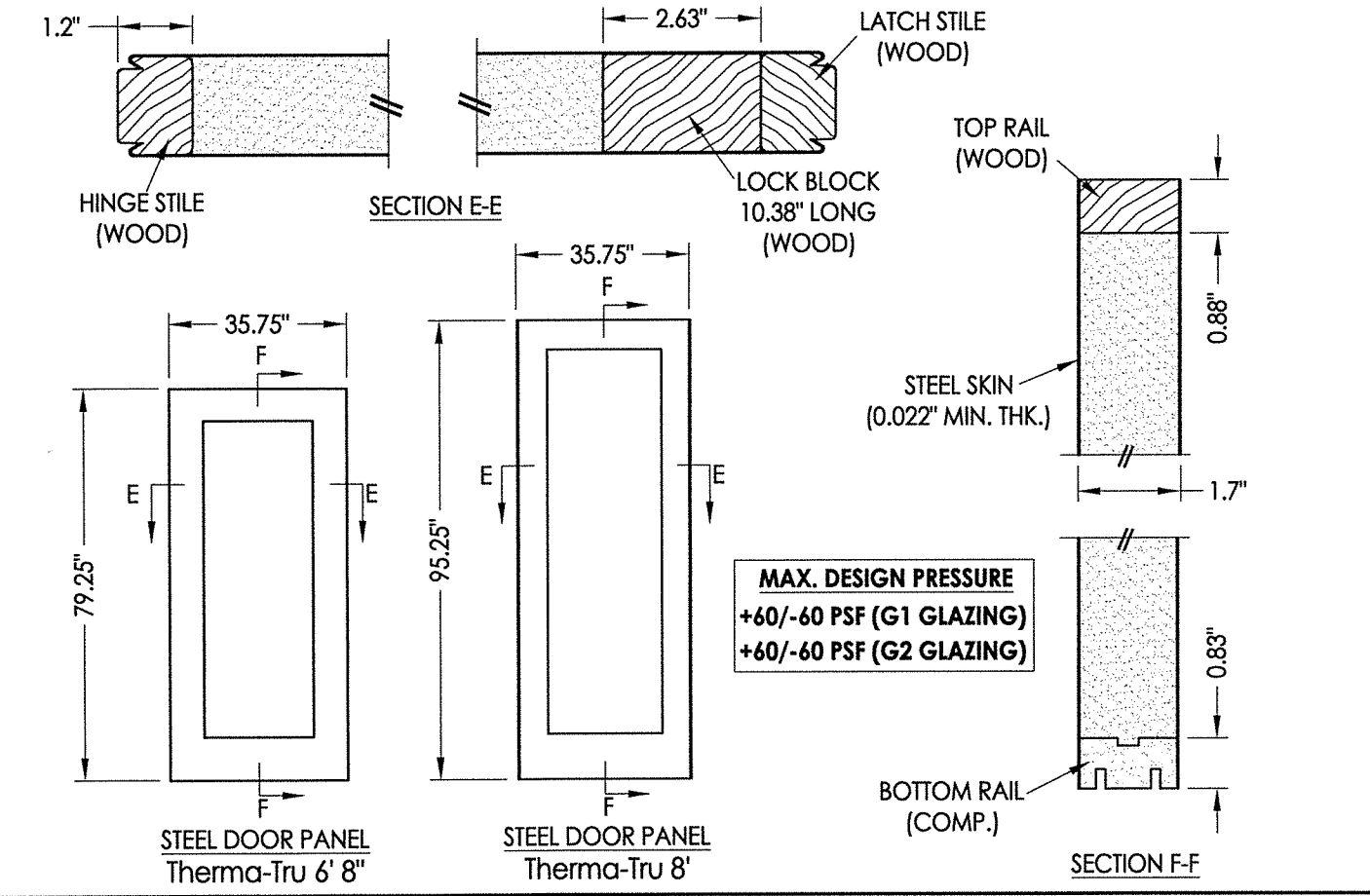
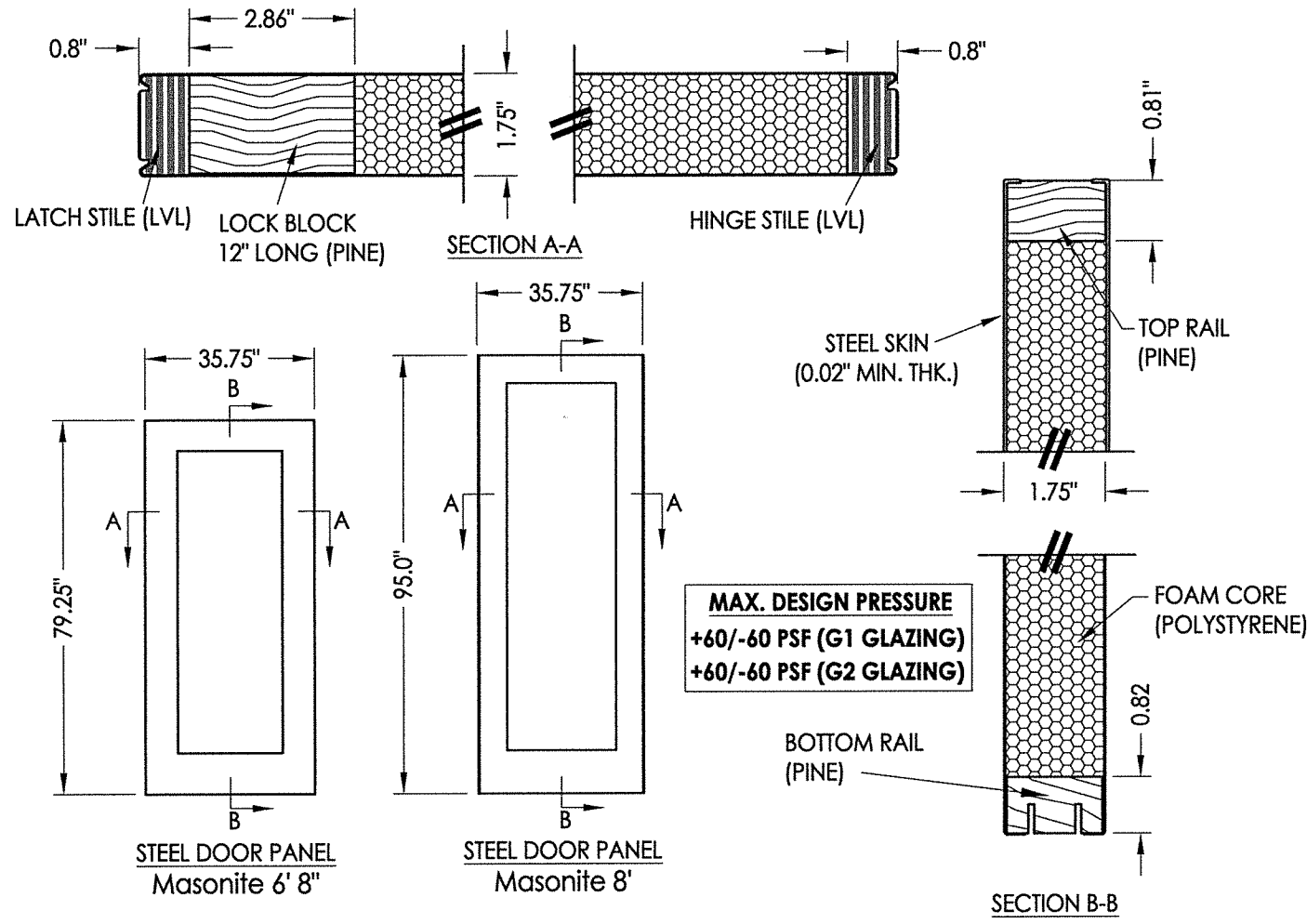
\\dc01\rbwc\Clients\ODL, Inc. PERMANENTVA - Florida Product Approvals\FL-15260 Exterior Door Components - Lite Frame Inserts\C - Drawings\FL 15260 (2020) R9\FL-15260.15.dwg



August 07, 2020
Documents Prepared By:
Lyndon F. Schmidt
P.E. No. 43409

R.W.
BUILDING CONSULTANTS, INC.
P.O. Box 230, Valrico, FL 33595
Phone No.: 813.659.9197
FBPE Registry No. 9813

PRODUCT:		EVOLVE SYSTEM	
LITE FRAME SYSTEM		PART OR ASSEMBLY:	
FIBERGLASS DOOR PANELS		REVISIONS	
NO.	DATE	BY	JK
4	8/05/20	FBC	DAC
3	4/04/19	FOR NEW TESTING	LFS
2	10/03/18	REVISE GLAZING DETAIL	JK
1	9/26/17	UPDATE TO 6TH ED. (2017) FBC	JK
DATE: 3/31/15		SCALE: N.T.S.	
DWG. BY: JK		CHK. BY: LFS	
DRAWING NO.: FL-15260.15		SHEET 3 OF 4	



August 07, 2020
 Documents Prepared By:
 Lyndon F. Schmidt
 P.E. No. 43409

PRODUCT:		EVOLVE LITE FRAME SYSTEM	
PART OR ASSEMBLY:		STEEL DOOR PANELS	
NO.	DATE	NO.	DATE
4	8/05/20	1	9/26/17
3	4/04/19	2	10/03/18
2	10/03/18	3	4/04/19
1	9/26/17	4	8/05/20
REVISIONS			
DATE: 3/31/15			
SCALE: N.T.S.			
DWG. BY: JK			
CHK. BY: LFS			
DRAWING NO.: FL-15260.15			
SHEET 4 OF 4			